

kronback tracers

S16

RF SWITCH AND MULTICOMBINER

+
SWITCH
4-1000 MHz



+
MULTI-COMBINER
5-65 MHz



HIGH PRECISION

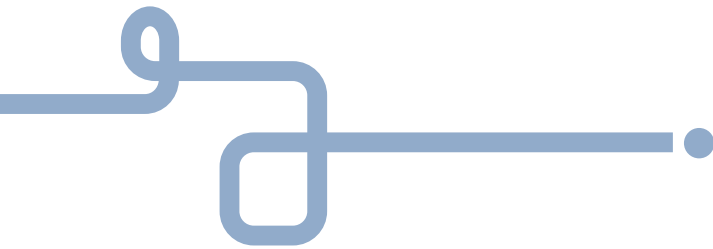
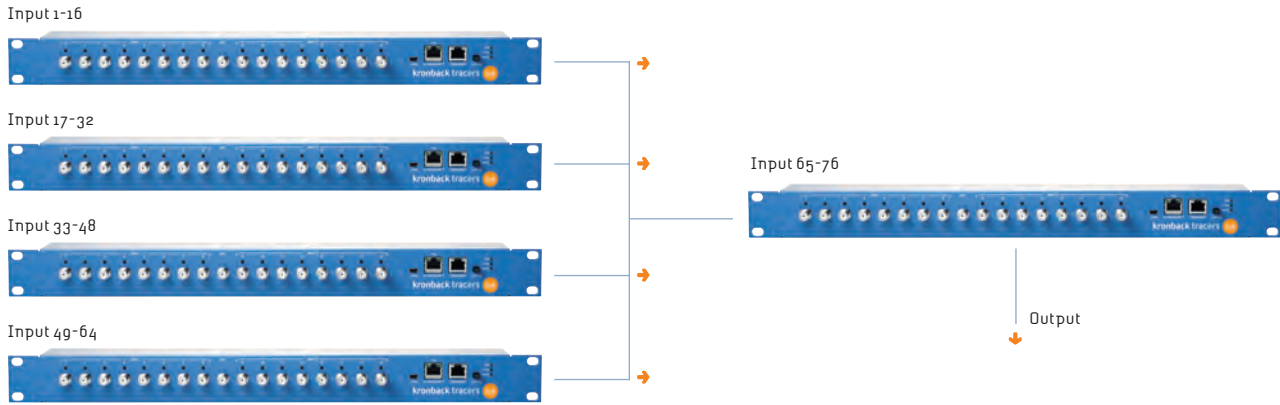
- * 16x1 switch, frequency range: 4-1000 MHz
- * 16x1 returnpath multicombiner
- * Wide range of applications
- * 10/100 base-T or USB control
- * Power over ethernet acc. to IEEE 802.3af

- * Web-based user interface
- * Remote control IP interface
- * Front control
- * Master Slave control allows up to 256 inputs
- * Low power: less than 2 W

TRY TODAY

A live demonstration of the S16 web-enabled interface is available on:
www.kronback.com

EXPANSION STACKING EXAMPLE 76 inputs



www.kronback.com

RF SWITCH AND MULTICOMBINER

FLEXIBLE RF SWITCH AND COMBINER

Kronback Tracers S16 is a compact, flexible RF switch for switching up to sixteen inputs over to one output in the 4 - 1000 MHz range.

When the S16 is operated in combiner mode, any input combination can be routed to the output.

WIDE RANGE OF USE

The S16 is useful as input expansion for existing return-path measurement systems, including the Kronback Tracers B16. The S16 is also an excellent choice for n+1 headend redundancy handling, RF laboratory usage, time-shifting RF channels and emergency switching.

WEB-BASED USER INTERFACE

The S16 is equipped with a web-based user interface, allowing users to name each input individually. The switch and its location can also be named. National characters are allowed in all text fields.

MASTER-SLAVE CONTROL

The master-slave function allows multiple S16 units to be connected. This allows configurations up to 256x1. The web interface of the S16 master unit ensures that the multiple S16 forms one virtual switch.

REMOTE CONTROL

The IP stack of the S16 provides excellent features for remote-controlling the unit for access to third-party control software.

SPECIFICATIONS

STANDARD COMPLIANCE

IEEE 802.3 10Base-T Ethernet
IEEE 802.3u 100Base-Tx Ethernet
IEEE 802.3af Power over Ethernet
IEEE 802.11b Wireless internet
IEEE 802.11i Wireless encryption

NETWORK CABLE

Network cable 10BASE-T: 2-pair UTP/STP Cat.3, 4, 5
cable EIA/TIA-568 100-ohm (100m)
100BASE-TX: 2-pair UTP/STP Cat.5 cable EIA/TIA-568
100-ohm (100m)

RF SPECIFICATIONS

Input 1-16
Connector: F-type 75 ohm, AC coupled
4-65 MHz:
insertion loss: 1.5dB \pm 0.2 dB
Combiner mode -15 dB \pm 1 dB
Return loss: >20dB
Isolation: >80 dB
4-1000 MHz:
insertion loss: 4MHz: 1.5 dB, 1000MHz: 2.5 dB
Frequency ripple: < 0.5 dB
Return loss: >18dB
Isolation: >60 dB
Output:
Connector: F-type 75 ohm, AC coupled

CONSOLE

Connector: RJ 45
RS232 standard
Communication parameters:
9600 baud
8 data bits
1 stop bit
No parity
No flow control

CERTIFICATION

CE
FCC

PHYSICAL SPECIFICATIONS

Height 43.8 mm (1 unit)
Width 482 mm (standard 19" dimensions)
Depth 55mm (2.2")
Weight 850 g (1.9 lb)

ELECTRICAL

Power over Ethernet according to IEEE803.2af (pin
4,5 & 8,7)
Reverse polarity protection
Power consumption 1-2 Watt

ENVIRONMENTAL

Operating Temperature: 5°C ~ 45°C
Storage Temperature: -20°C ~ 55°C
Operating Humidity: 10% ~ 90%, non-condensing
Fanless device

kronback tracers

Kronback tracers
Lautrupvang 15
DK-2750 Ballerup
Denmark

Phone (+45) 46 907 909
Fax (+45) 46 907 910

sales@kronback.com
www.kronback.com

Kronback Tracers is an innovative, rapidly-growing company. We operate globally and our dedicated and experienced staff are ready to serve our customers worldwide. Our philosophy is seeing is believing, so we encourage you to contact our sales organisation to test our products on your premises.

Kronback Tracers assumes no responsibility for the accuracy of this printed information. All specifications are subject to change without notice.